



Chokes for Power Lines

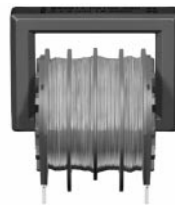
B82614

Sine-Wave Chokes

Rated voltage 250 Vac
Rated current 0,8 to 2,7 A
Rated inductance 0,5 to 3,0 mH

Construction

- Choke consisting of rectangular ferrite core with air gap
- Closed polycarbonate coil former with 4 sections
- Without encapsulation
- One winding



Features

- Coil former flame-retardant as per UL 94 V-0
- Recycleable owing to omission of encapsulation and glue

Applications

- Switch-mode power supplies with current pump
- Reduced harmonics input current

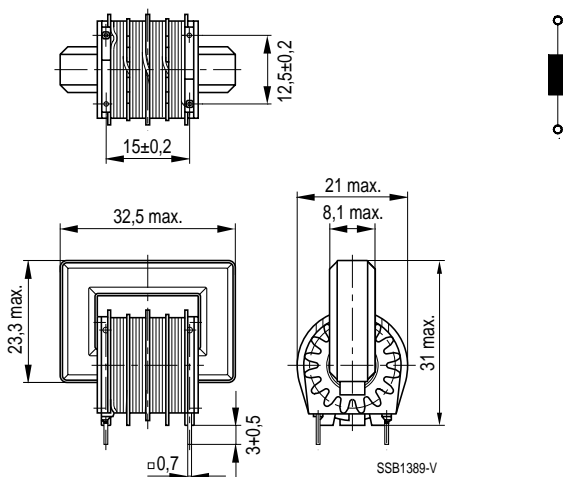
Terminals

- Pins 0,7 × 0,7 mm
- Lead spacing 15 × 12,5 mm

Marking

Manufacturer, ordering code,
rated current, rated inductance, rated current

Dimensional drawing and pin configuration





Chokes for Power Lines

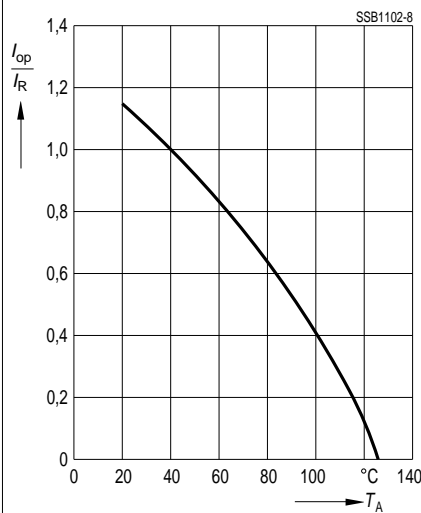
B82614

Sine-Wave Chokes

General technical data

Rated inductance L_R	Measured with HP 4275 A or HP 4284 A; Measuring frequency: $L \leq 1 \text{ mH} = 100 \text{ kHz}$ $L > 1 \text{ mH} = 10 \text{ kHz}$
Inductance tolerance	$\pm 30 \%$
DC resistance R_{typ}	Typical values, measured at 20°C
Rated voltage V_R	250 Vac / 350 Vdc
Climatic category	In accordance with IEC 60068-1 40/125/56 (- 40 °C/+ 125 °C/56 days damp heat test)
Standards	The chokes comply with EN 60938-2 und VDE 0565-2
Weight	Approx. 30 g

Current derating I_{op}/I_R
versus ambient temperature T_A



Characteristics and ordering codes

I_R A	L_R mH	R_{typ} Ω	Ordering code
0,8	3,0	2,0	B82614-R2801-A30
1,0	2,0	1,3	B82614-R2102-A30
1,7	1,5	0,62	B82614-R2172-A30
2,0	1,0	0,42	B82614-R2202-A30
2,4	0,75	0,29	B82614-R2242-A30
2,7	0,5	0,23	B82614-R2272-A30